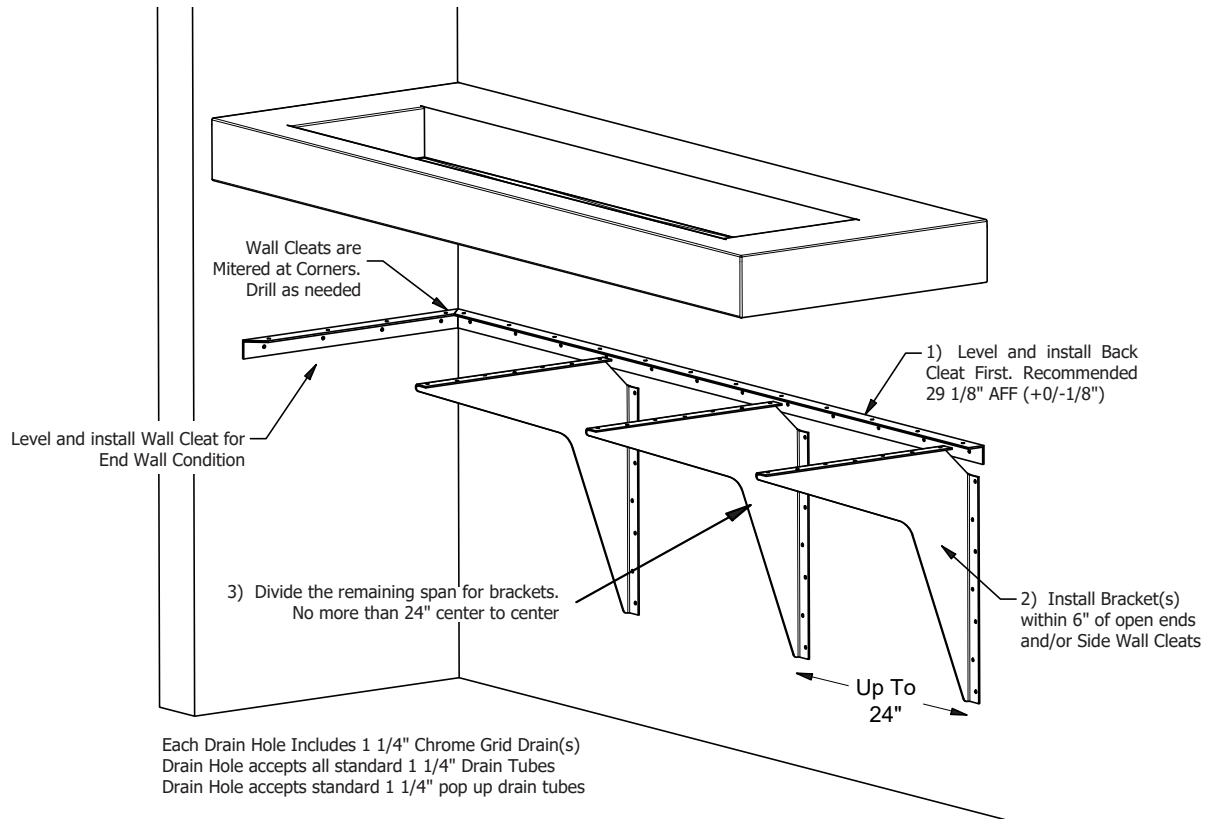


**INSTALLATION**

1. Install Wall Cleat at Desired Height.
2. Install Brackets at Open Ends.
3. Install Center Brackets

**OPTIONAL MOUNT HARDWARE KIT INCLUDES:**

**Black A&M Brackets (1 Per Each 24" of Length, Plus 1)**

**1.5" x 1.5" Mill Aluminum Angle Back Wall Cleat**

**1.5" x 1.5" Mill Aluminum Angle Side Wall Cleats**

- Wall cleats are cut to size and mitered. Drill as needed.
- Screws and wall fasteners are NOT included.
- 22 1/4" sinks include 18" brackets.
- 24" sinks include 21" brackets.