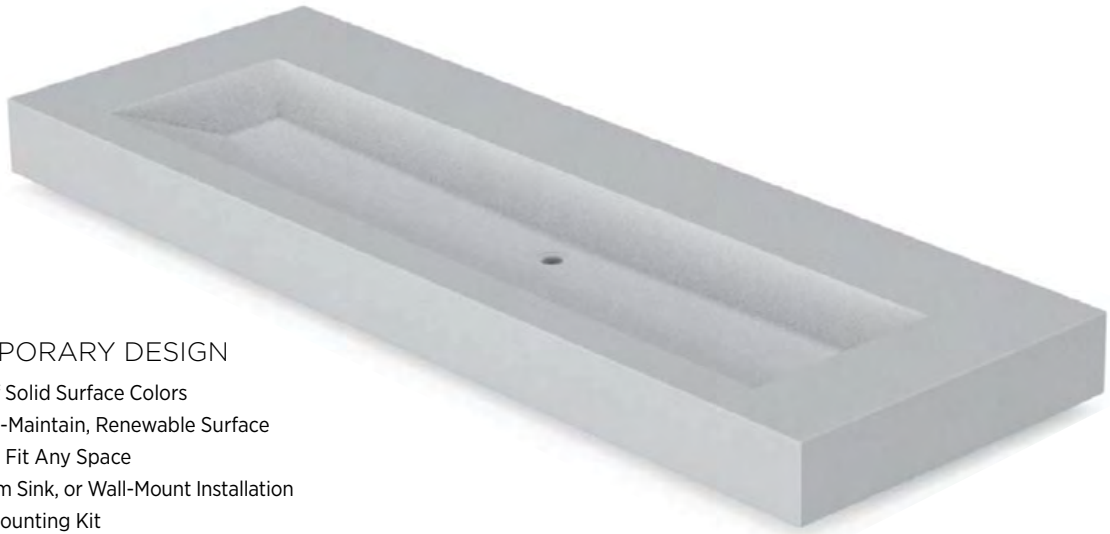


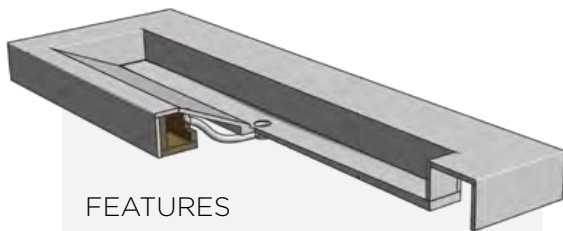
SOLID SURFACE CUSTOM TROUGH SINK

CONTEMPORARY. SCALABLE. VERSATILE.



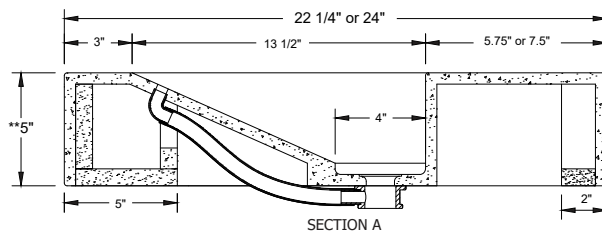
CONTEMPORARY DESIGN

- Full Line of Solid Surface Colors
- An Easy-to-Maintain, Renewable Surface
- Scalable to Fit Any Space
- Vessel, Farm Sink, or Wall-Mount Installation
- Optional Mounting Kit

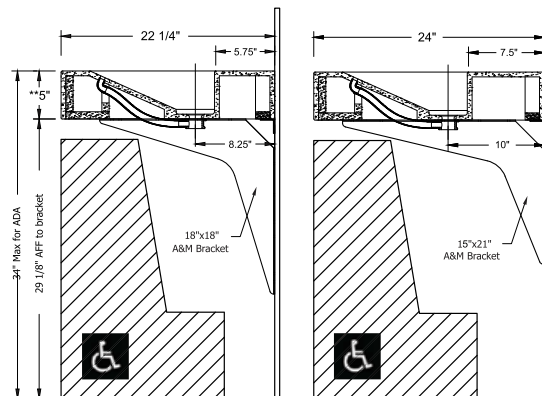


FEATURES

- Finished all 4 Sides
- Optional 4" Loose Backsplash
- Optional Faucet Drilling
- Single Drain to 64", Double to 96", then +1 per 36"
- Choice of any Solid Surface Color
- 1/8" Eased Edge - Matte Finish
- Includes 1/4" Chrome Grid Drain with Overflow
- Standard Depth 22 1/2" - 24"
- ADA-Compliant (When Installed To Guidelines)
- Custom Length as Desired



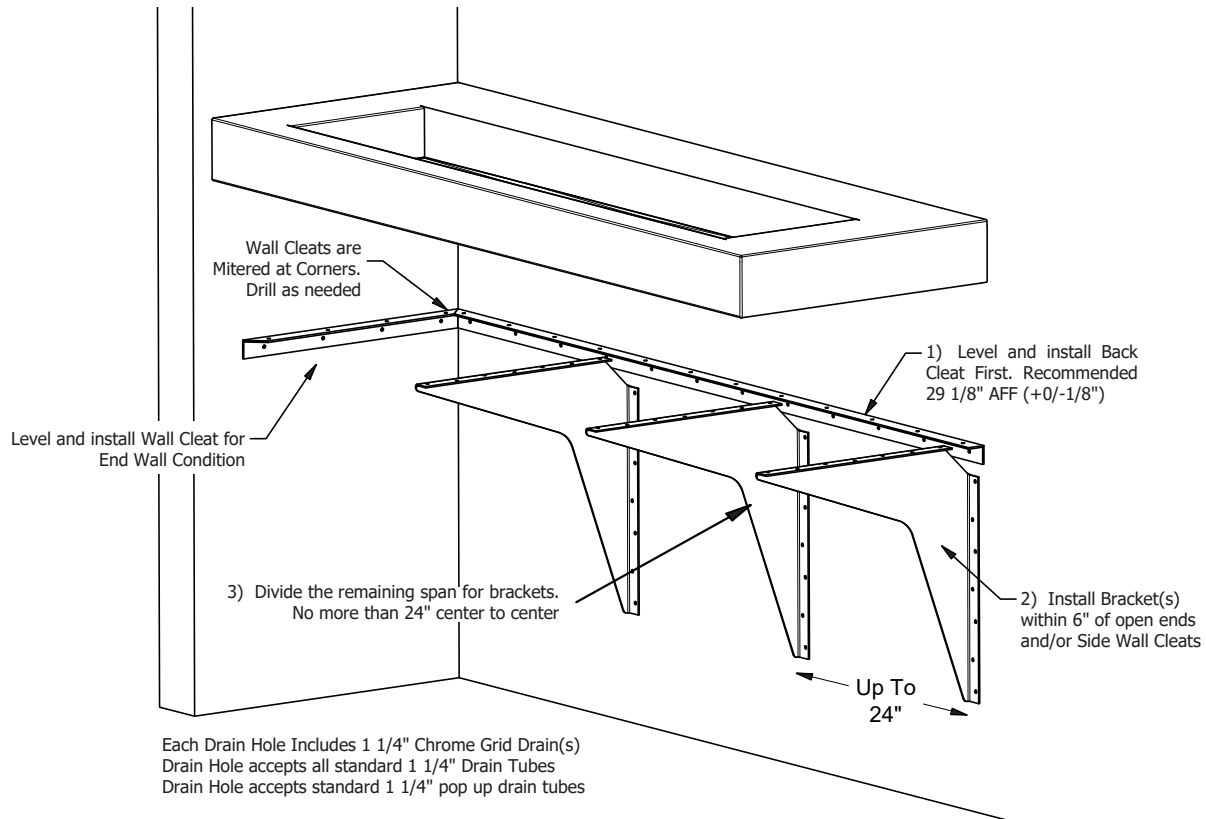
**5" Edge Actual Size 4 7/8"



**5" Edge Actual Size 4 7/8"

INSTALLATION

1. Install Wall Cleat at Desired Height.
2. Install Brackets at Open Ends.
3. Install Center Brackets

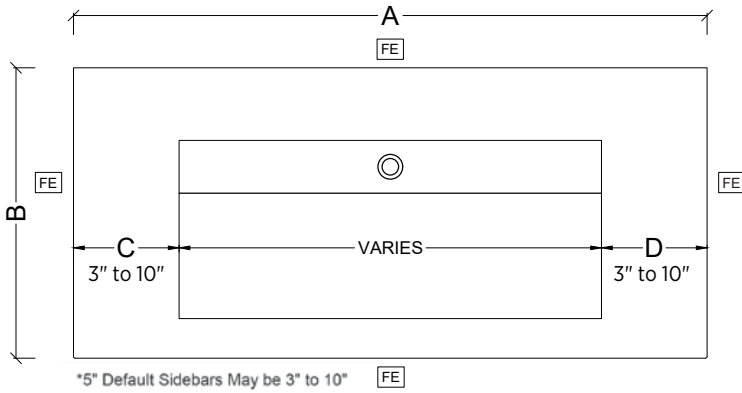
**OPTIONAL MOUNT HARDWARE KIT INCLUDES:**

Black A&M Brackets (1 Per Each 24" of Length, Plus 1)

1.5" x 1.5" Mill Aluminum Angle Back Wall Cleat

1.5" x 1.5" Mill Aluminum Angle Side Wall Cleats

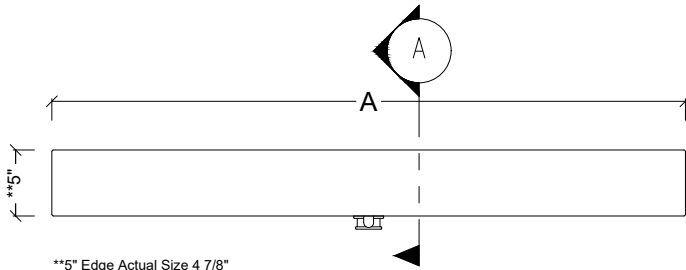
- Wall cleats are cut to size and mitered. Drill as needed.
- Screws and wall fasteners are NOT included.
- 22 1/4" sinks include 18" brackets.
- 24" sinks include 21" brackets.



*5" Default Sidebars May be 3" to 10" FE

PLAN VIEW: TROUGH SINK

Arc Ref: _____ Scale: 1 1/4" = 1'



**5" Edge Actual Size 4 7/8"

ELEVATION: TROUGH SINK

Arc Ref: _____ Scale: 1 1/4" = 1'

ORDER FORM

- Thickness: 5" Drop Edge
 Finish: Matte Finish
 Edge Type: Eased Edge
 Substrate: MDF

Quantity: _____

Material: _____

Color: _____

Faucet Drilling: _____

A - Overall Length: _____

B - Front to Back Depth: _____

C - Left Deck Sidebar: 5" Default Other: _____

D - Right Deck Sidebar: 5" Default Other: _____

Wall Mounting Kit: Yes No

Backsplash: None 4" Other: _____

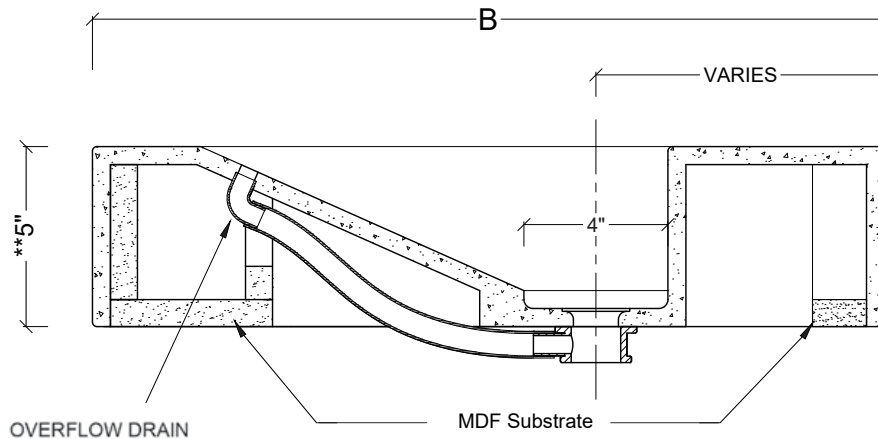
Endsplash: None Left Right Both

FOR INTERNAL USE ONLY

- APPROVED
 NOT APPROVED
 APPROVED AS NOTED

SIGNATURE _____

DATE _____



SECTION A

Arc Ref: _____ Scale: 3" = 1'

